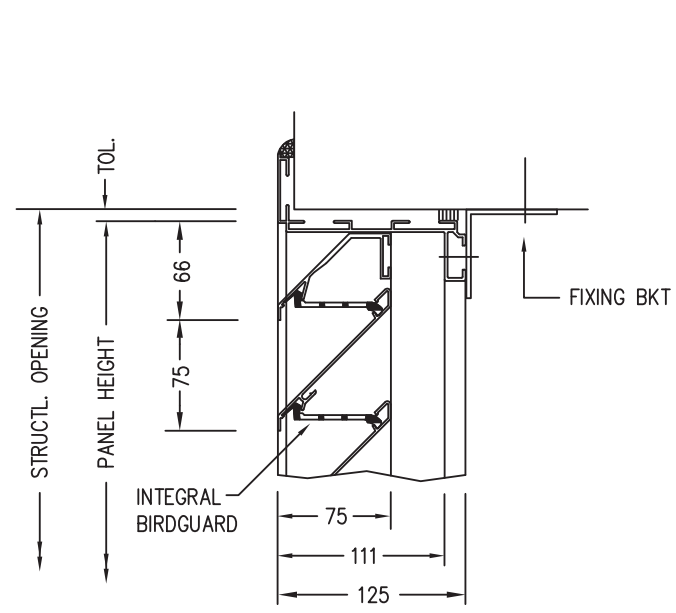
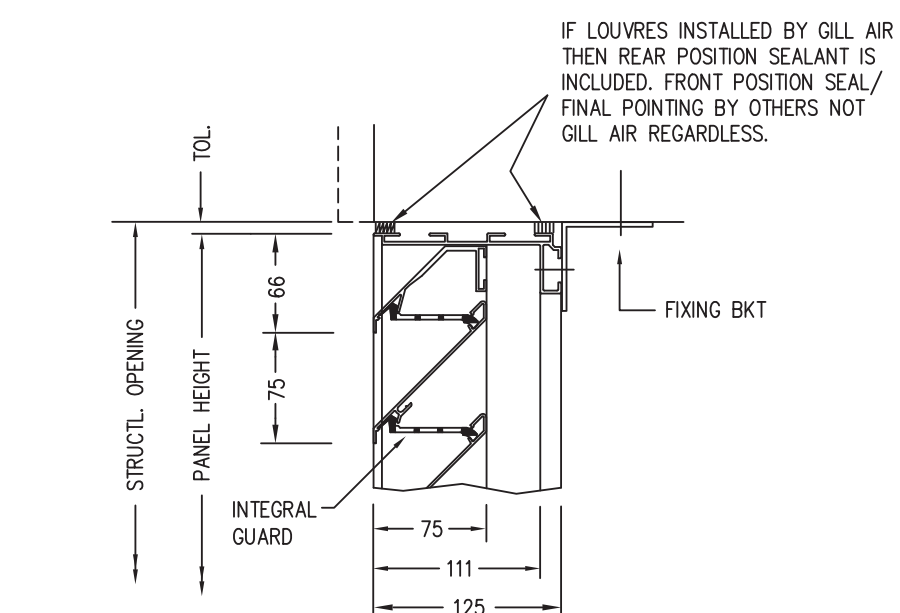


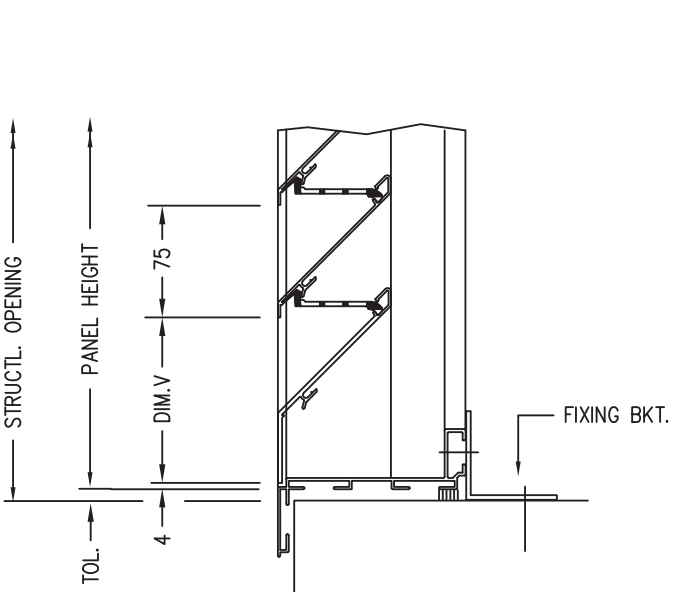
# SECTIONAL DETAILS



001. STANDARD HEAD DETAIL

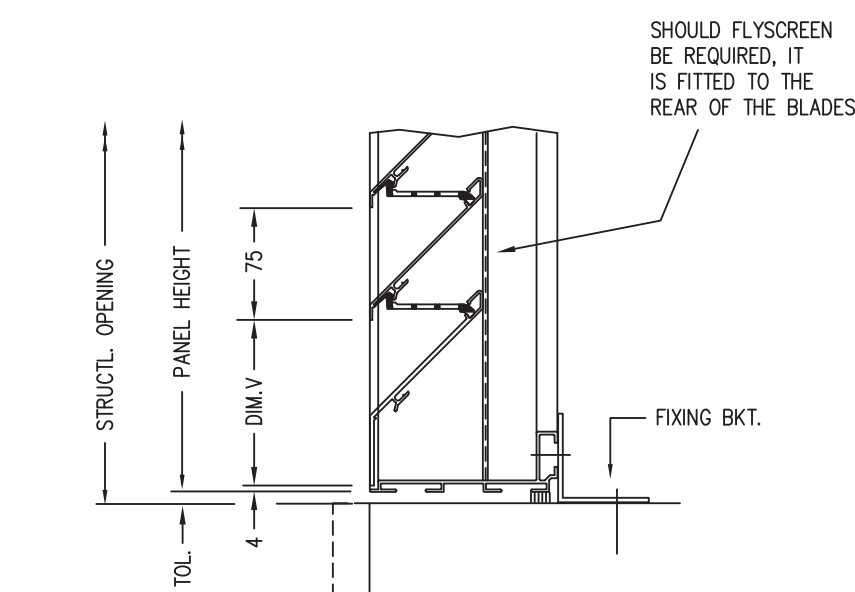


010. STANDARD HEAD DETAIL



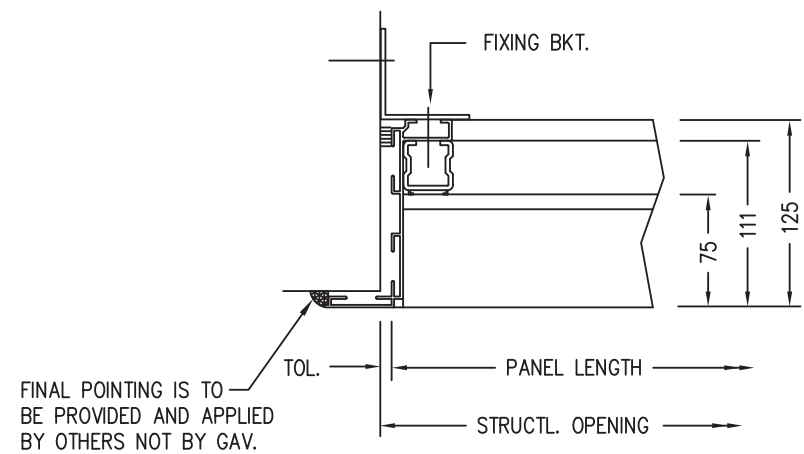
002. VARI-BLADE CILL DETAIL

75SP FLANGED DETAILS  
FLANGE TRIM FOR FACE MOUNTING

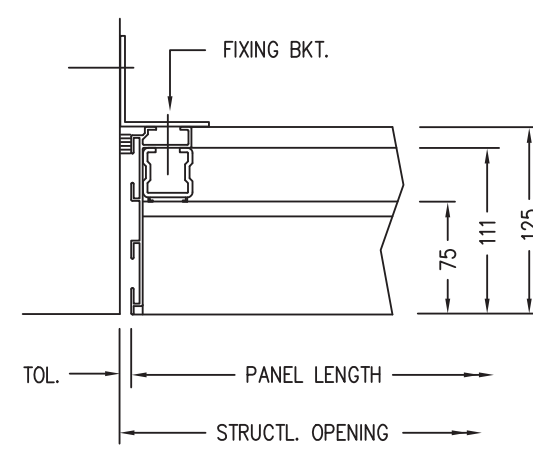


011. VARI-BLADE CILL DETAIL

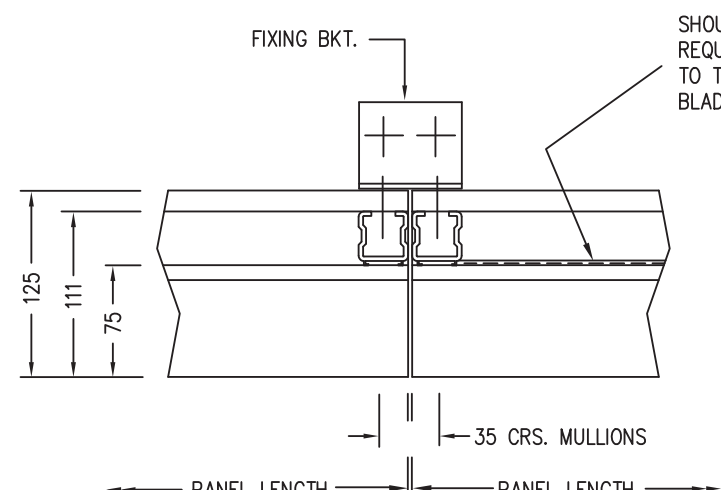
75SP FRAMED DETAILS  
FRAME TRIM FOR FLUSH OR RECESSED MOUNTING



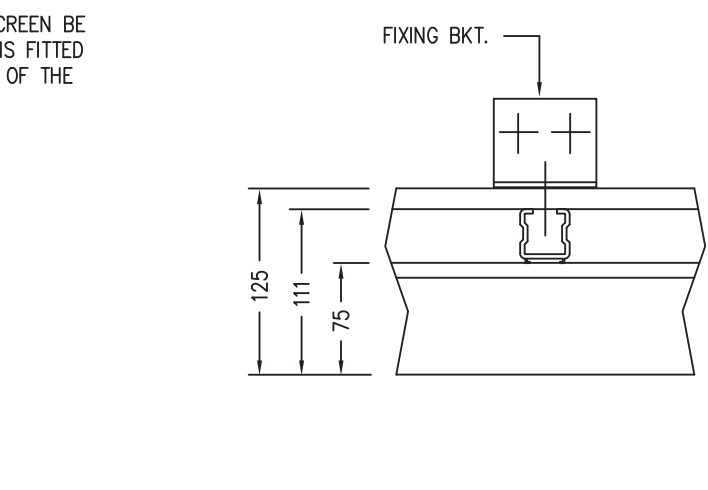
003. JAMB DETAIL FLANGED TRIM



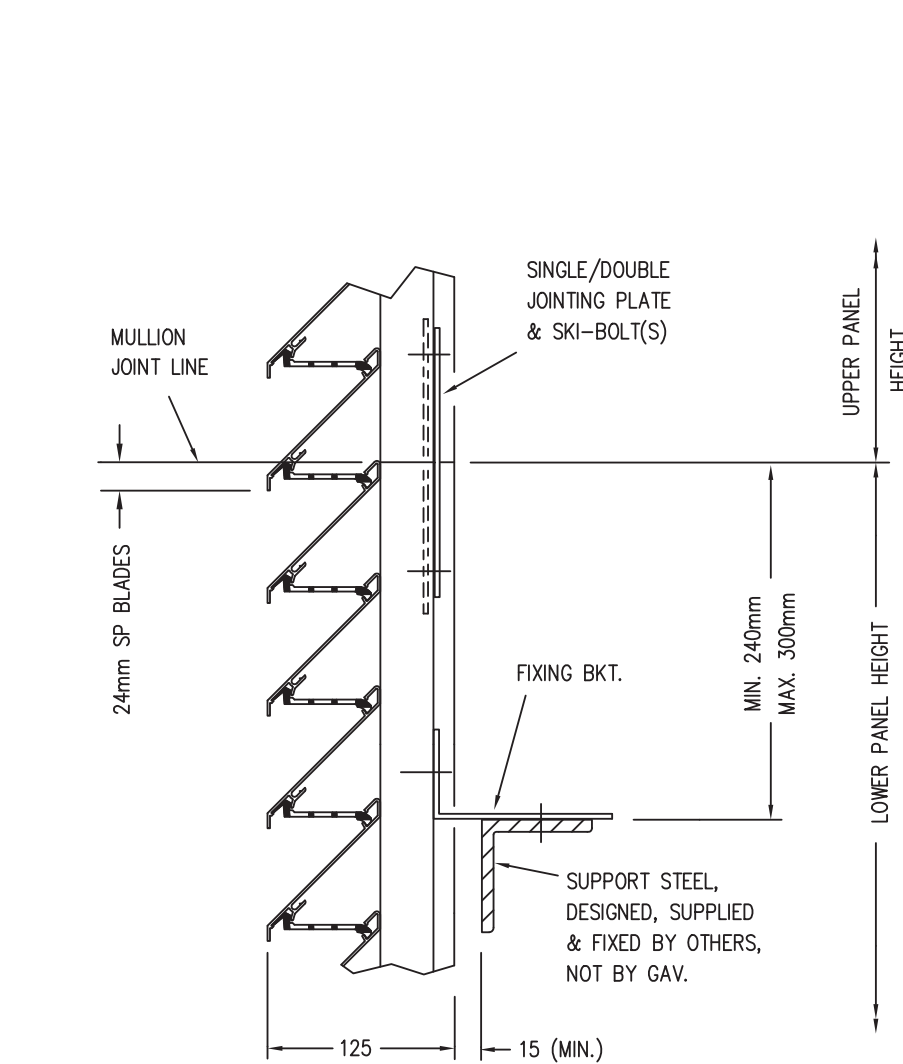
012. JAMB DETAIL FRAMED TRIM



004. HORIZONTAL JOINT DETAIL



005. CENTRAL MULLION DETAIL



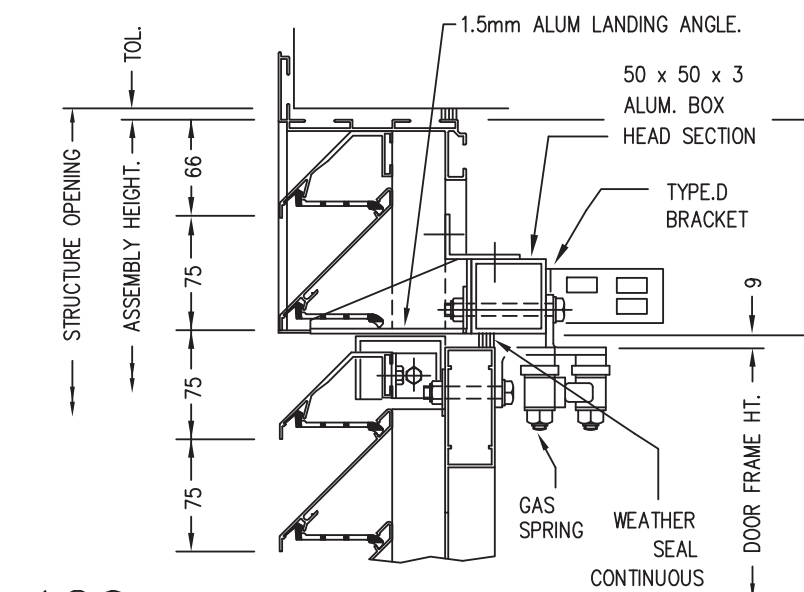
006. VERTICAL JOINT DETAIL

75SP VERTICAL DETAILS

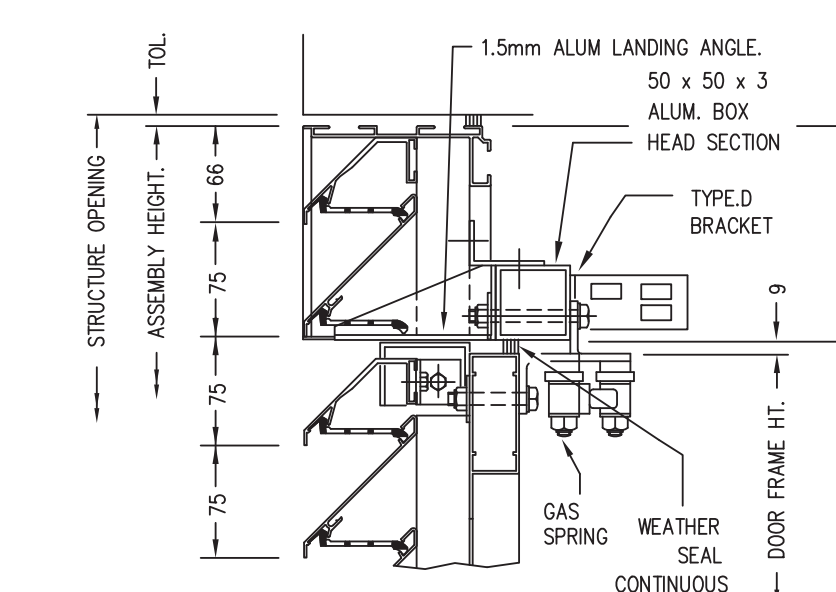
INTERMEDIATE RAILS REQ'D ON ASSEMBLIES OVER 2500mm HIGH

ASSEMBLIES CAN BE MADE TO ANY SIZE, LENGTH OR HEIGHT. MAXIMUM INDIVIDUAL PANELS ARE RESTRICTED TO 2.5m<sup>2</sup> FOR HANDLING AND SITE WORK. ANY ASSEMBLY OVER 2.5M HIGH WOULD NEED TO BE SPLIT VERTICALLY INTO SEPARATE LIFTS. TRIMS ARE ONLY ADDED TO THE PERIPHERY. CONTINUOUS APPEARANCE IS ACHIEVED AT THE BANKING JOINS.

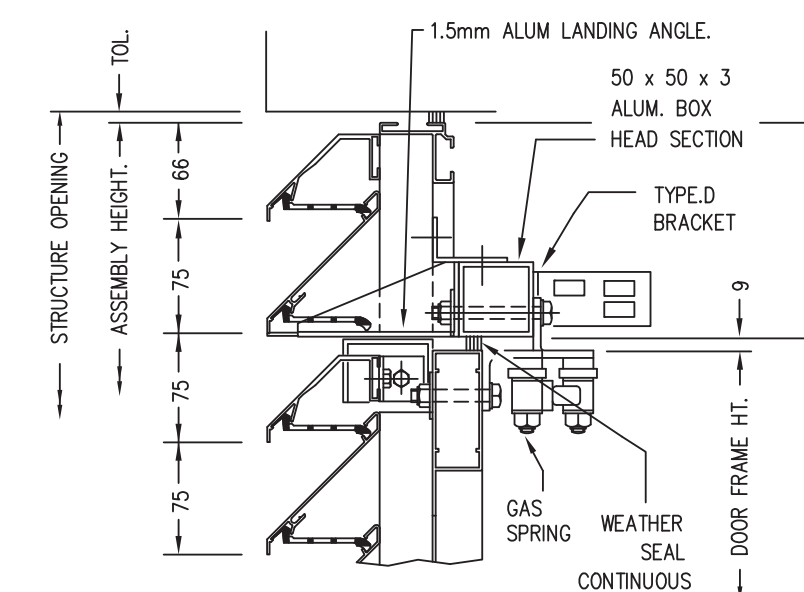
# DOOR DETAILS



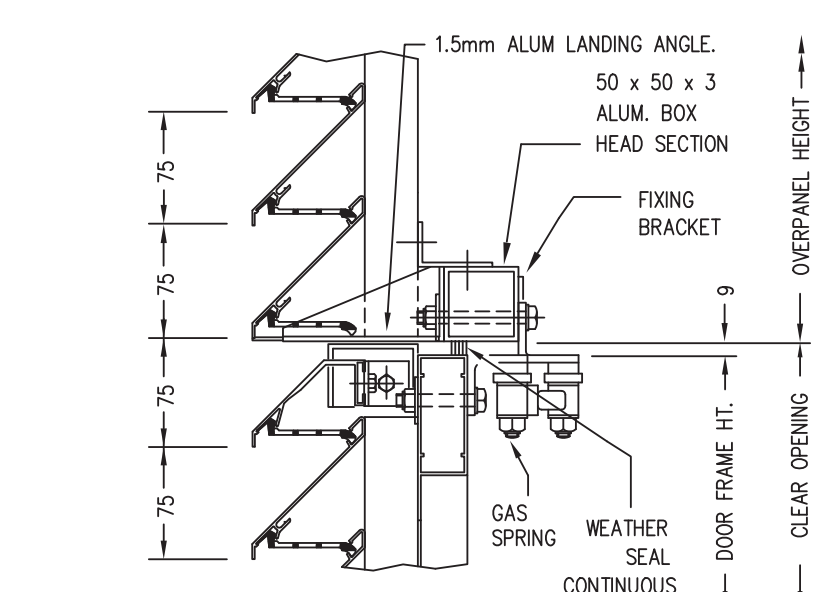
120. TRANSOM



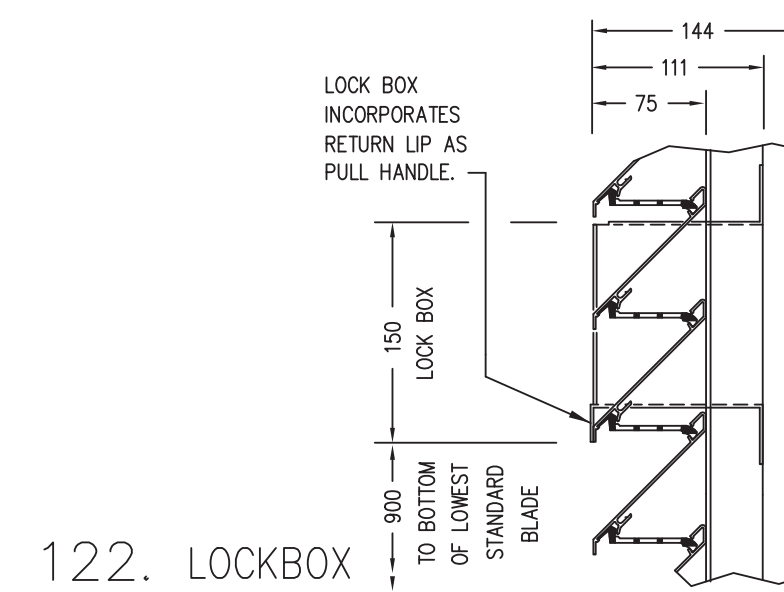
123. TRANSOM



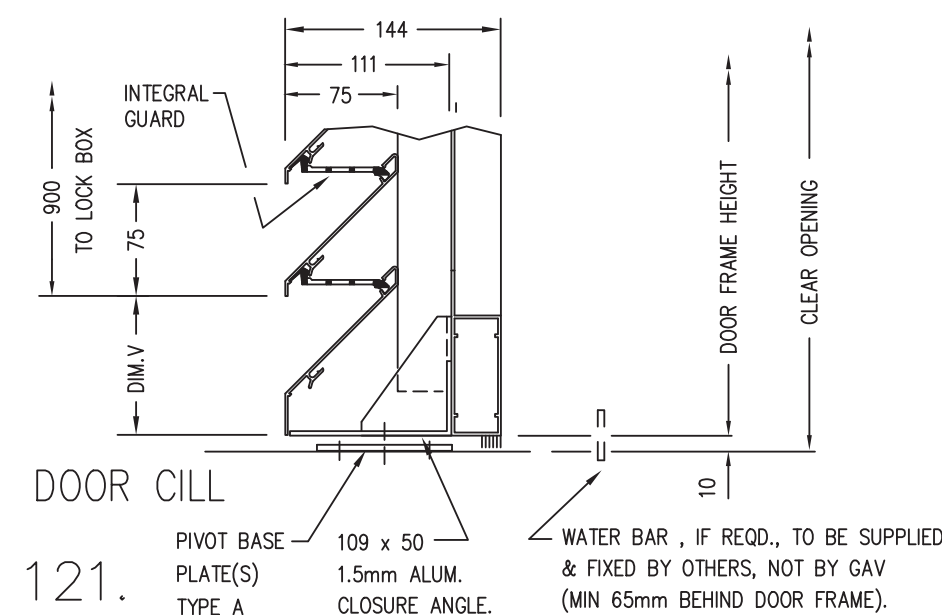
124. TRANSOM



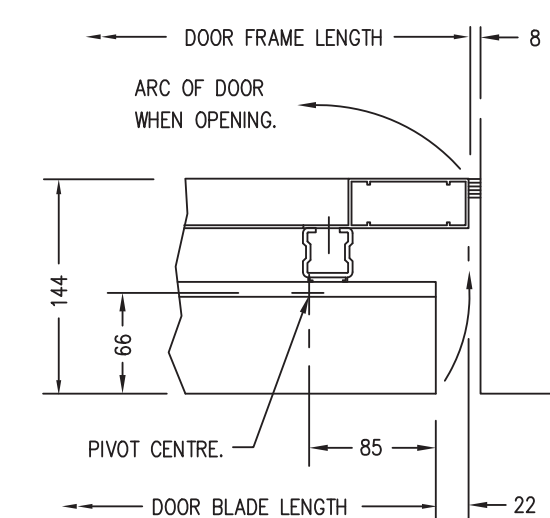
125. HEAD SECTION



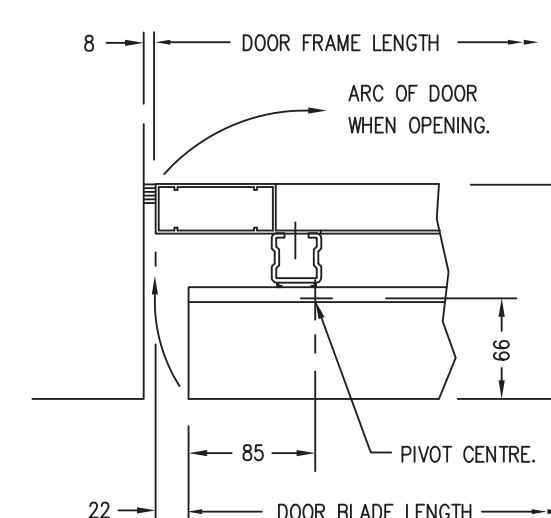
122. LOCKBOX



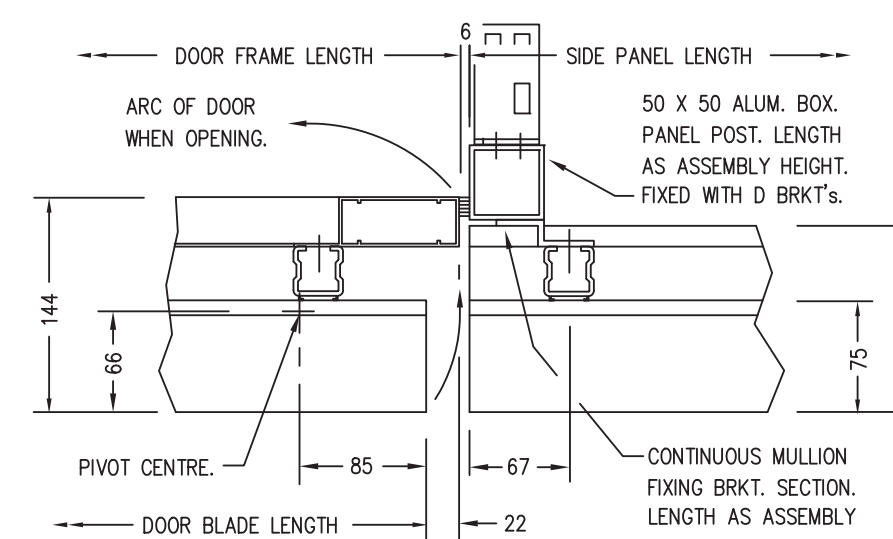
121. DOOR CILL



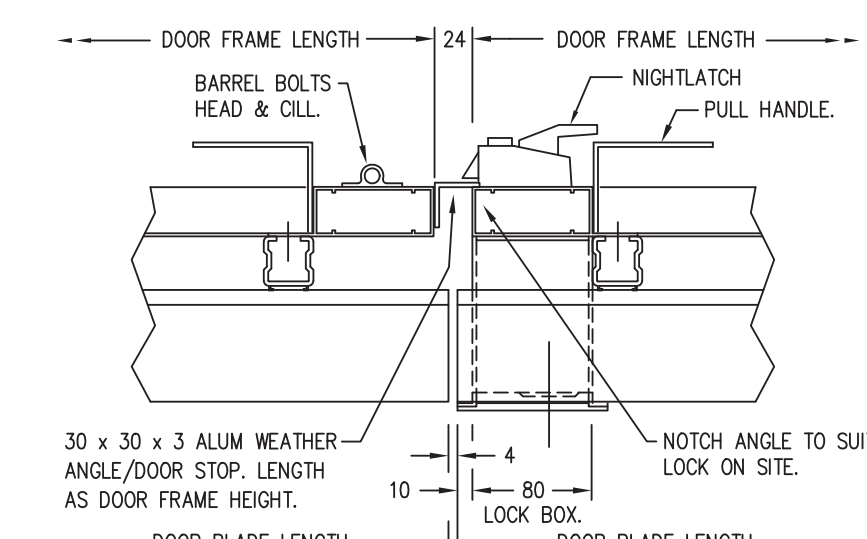
139. R/HD FRAME INTO STRUCTURE



140. L/HD FRAME INTO STRUCTURE



141. R/HD FRAME INTO ASSEMBLY



138. MEETING LOCK STILES

YES SUPPLY ONLY YES SUPPLY & FIX

LOUVRE TYPE :  
TRIM TYPE :  
GUARD TYPE : BIRDCUARD  
PAINT TYPE : POLYESTER POWDER PAINT  
FINISH : MATT/GLOSS  
COLOUR :  
LOCATION :  
CUSTOMERS REF :  
GAV REF :

DO NOT SCALE DRAWING, IF IN DOUBT ASK.  
ALL DETAILS & DIMENSIONS MUST BE CONFIRMED AS CORRECT BEFORE MANUFACTURE OF LOUVRES CAN COMMENCE.  
CUSTOMER DRAWINGS USED :-

Rev	Description	Mod. By	Date

© COPYRIGHT 2009 HUNTER PRODUCTS  
THIS DRAWING & DESIGN ARE THE PROPERTY OF HUNTER PRODUCTS GROUP., AND MUST NOT BE COPIED OR USED IN ANY WAY PREJUDICIAL TO THEIR INTERESTS.

Project

Customer

Drawing Title

75SP Louvre Details

Location/Panel Ref.

Drawing No.	Sheet No.	Revision
-------------	-----------	----------

Scale	Date
-------	------

Computer File No.	Project No.
-------------------	-------------

Drawn By	Checked By
----------	------------

Coordinated By	Approved By
----------------	-------------

**GILL AIR**  
OFFICE SUITE 3, 30 BUSINESS PARK,  
BRIDGE HALL LANE, BURY, BL9 7NY  
Tel. 0161 763 3735 www.gillair.net

NOTE: The details shown within this drawing are for use as an aid only. If you are unsure which blocks are best suited for your application please contact our technical team on (0161) 763 3735 and we will be

© COPYRIGHT 2009 HUNTER PRODUCTS  
THIS DRAWING & DESIGN ARE THE PROPERTY OF HUNTER PRODUCTS GROUP., AND MUST NOT BE COPIED OR USED IN ANY WAY PREJUDICIAL TO THEIR INTERESTS.